

System Layout and Piping

When designing system piping and layout

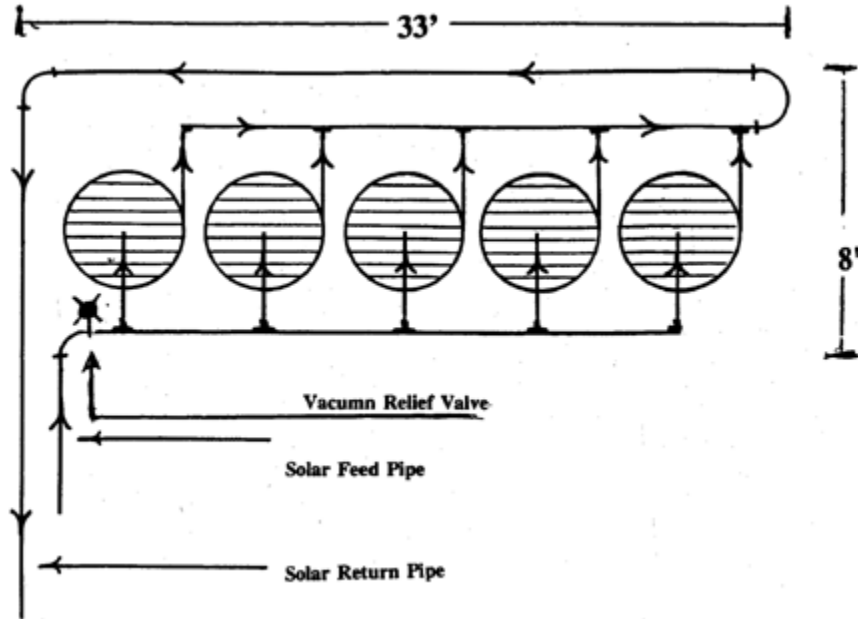
1. Use schedule 40 p. v .c. pipe and fittings throughout. Run 2" feed to panels and 2" on return at panels. On return from panels reduce to 1½" to equipment. When panels are below pool use
2. Keep panels as close to the pool equipment area as possible.
3. Always utilize space efficiently so that additional panels may be added at a later date.
4. Keep pipe runs vertically and horizontally to conform with panel array and roof lines. This gives the system. that professional look.
5. Make sure that distance between collectors or collectors and pipe or collectors and roof lines are adequate for installation and servicing.
6. For freeze protection:
 - a. Install a vacuum breaker at the highest point or on feed pipe at collectors.
 - b. Install feed line below collector array.
 - c. For system that does not facilitate gravity drainage of panels (where solar plumbing crosses the ridge of the roof, or where panels are located below pool water level), provide a hose bib at the lowest point in collector array for manual draining.

Panel Piping and Layout Diagrams

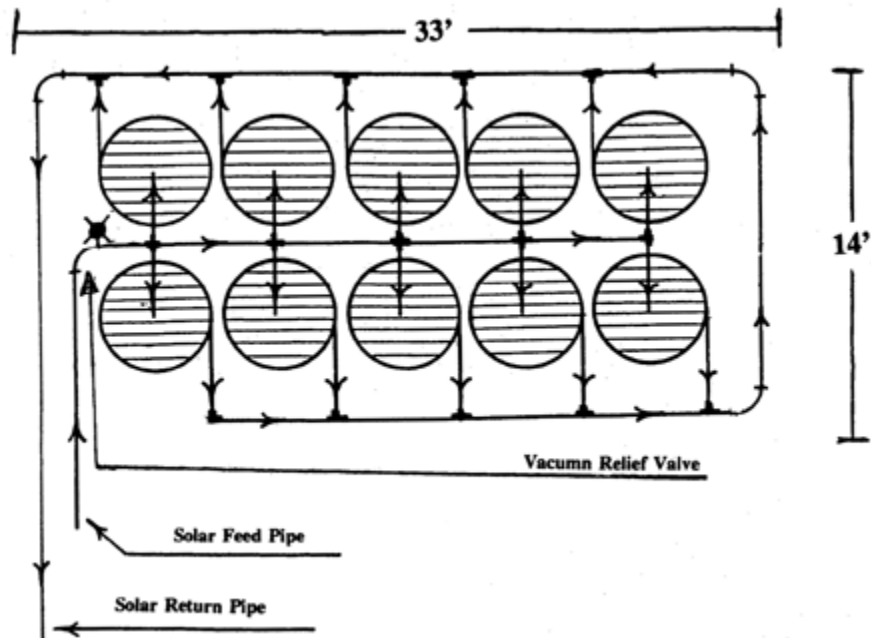
Coils are 6 1/2' in diameter.

Rectangular panels are 4'x10'

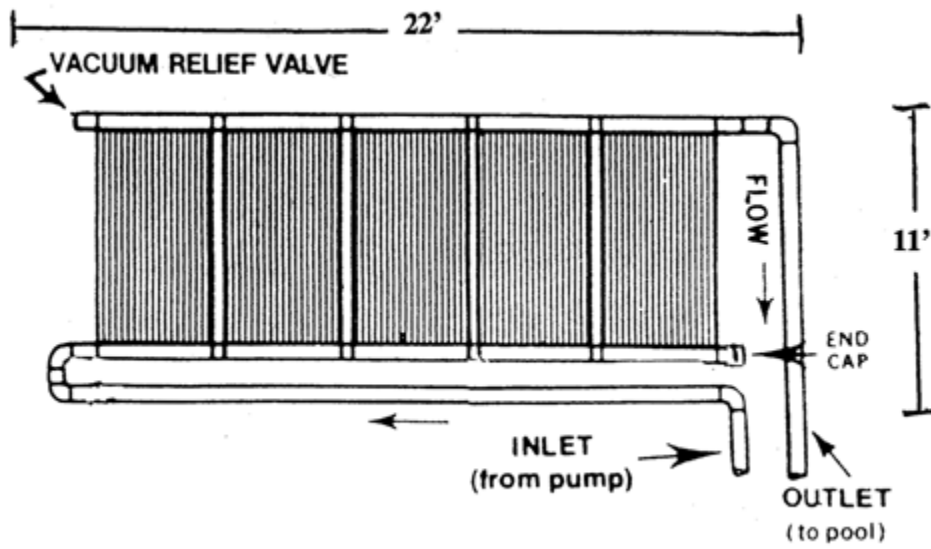
Single Bank API Sun Coils



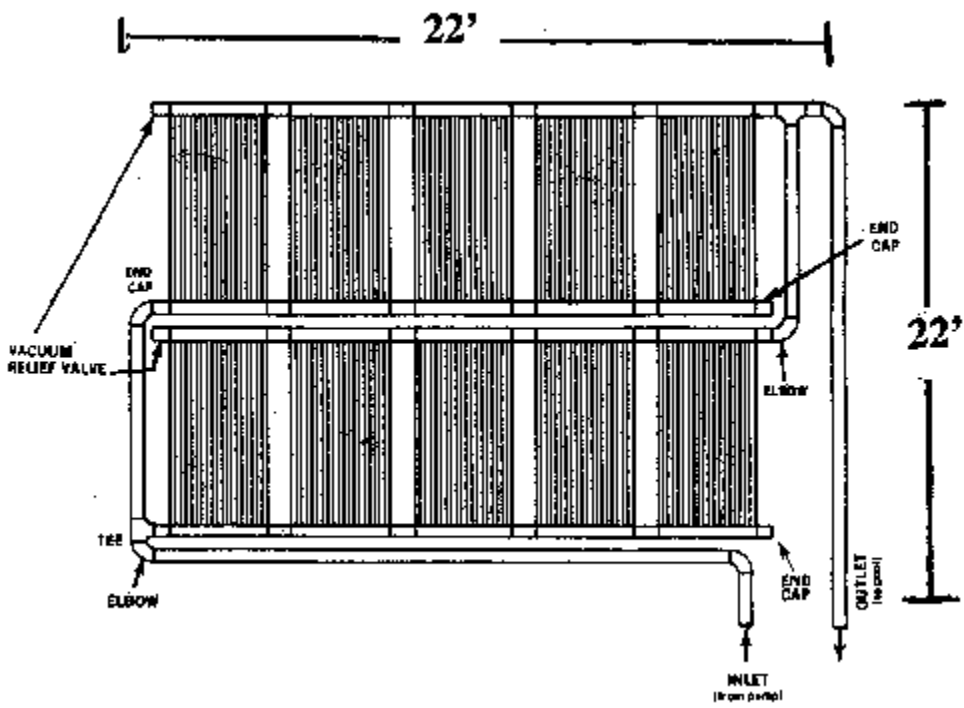
Dual Bank API Sun Coils



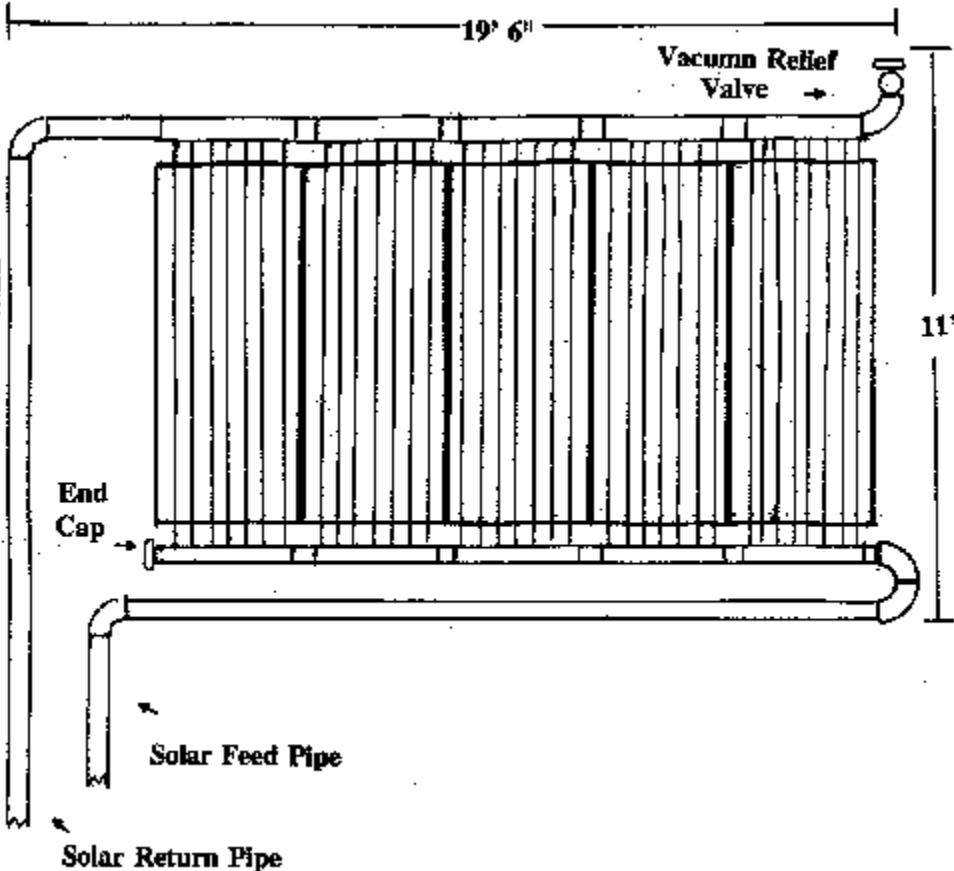
Single Bank API Poly Pro



Dual Bank API Poly Pro



Single Bank API 4000/5000



Dual Bank API 4000/5000

