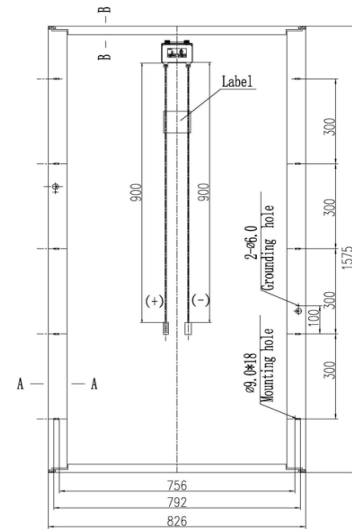
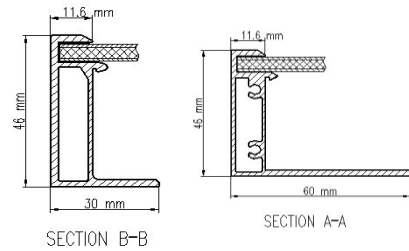


STC	API-175M	API-180M	API-185M	API-190M	API-195M
Nominal peak power	175W	180W	185W	190W	195W
Open circuit voltage	44.7V	44.9V	45.1V	45.3V	45.6V
Max. power voltage	35.7V	36.0V	36.5V	36.9V	37.4V
Short circuit current	5.30A	5.40A	5.45A	5.53A	5.61A
Max. power current	4.89A	4.99A	5.06A	5.15A	5.22A
module efficiency	13.4%	13.8%	14.2%	14.6%	15.0%
Power output tolerances	±3%				
Max. system voltage	600 VDC				
Max.series fuse rating	10A				
Operating temperature	- 40°C to + 85°C				
*Electrical parameters at STC (1,000 W/m2, 25°C, AM 1.5 according to EN 60904-3)					



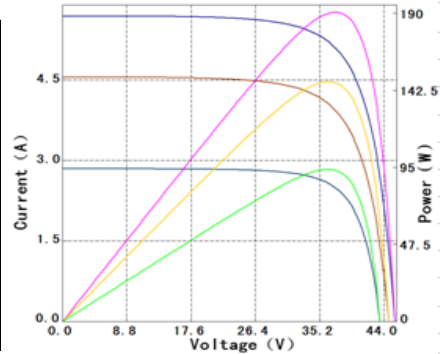
NOCT	API-175M	API-180M	API-185M	API-190M	API-195M
Nominal peak power	125W	129W	132W	136W	140W
Open circuit voltage	40.7V	40.9V	41.1V	41.3V	41.5V
Max. power voltage	31.5V	31.8V	32.2V	32.5V	32.9V
Short circuit current	4.29A	4.37A	4.41A	4.48A	4.54A
Max. power current	3.97A	4.06A	4.10A	4.18A	4.25A
NOCT	46°C±2°C				
*Electrical parameters at NOCT (800 W/m2, 20°C, AM 1.5 according to EN 60904-3)					



Temperature coefficients	
γPm	-0.47%/K
αisc	0.038%/K
βVoc	-0.34%/K

Mechanical parameters	
Module dimension	1575*826*46(mm)
Weight	16.3kg
Max. wind Load	2400pa
Max. snow Load	5400pa
Cell dimension	125*125
Cell type	72(6*12) / Monocrystalline
Packing method	264pcs/20' 616pcs/40'

Current, power VS voltage characteristics (solar irradiant:100%, 80%, 50%)



Advance Solar, Hydro, Wind Power Co., Inc. Since 1978

6331 N. State Street, Redwood Valley, CA 95470, USA

(Toll Free) 1.888.228.9694, or 707.485.0588

www.advancepower.net